

CHICAGO
Electric[®]Power Tools

7" PORTABLE WET CUTTING TILE SAW

Model 40315

SET UP AND OPERATING INSTRUCTIONS



Please Note: Diamond Blade not included, sold separately.

Visit our website at: <http://www.harborfreight.com>



**Read this material before using this product.
Failure to do so can result in serious injury.
SAVE THIS MANUAL.**

Copyright© 2008 by Harbor Freight Tools®. All rights reserved. No portion of this manual or any artwork contained herein may be reproduced in any shape or form without the express written consent of Harbor Freight Tools. Diagrams within this manual may not be drawn proportionally. Due to continuing improvements, actual product may differ slightly from the product described herein.

For technical questions or replacement parts, please call 1-800-444-3353.

Revised Manual 10e

SAVE THIS MANUAL

Keep this manual for the safety warnings and precautions, assembly, operating, inspection, maintenance and cleaning procedures. Write the product's serial number in the back of the manual near the assembly diagram (or month and year of purchase if product has no number). Keep this manual and the receipt in a safe and dry place for future reference.

IMPORTANT SAFETY INFORMATION

In this manual, on the labeling, and all other information provided with this product:



This is the safety alert symbol. It is used to alert you to potential personal injury hazards. Obey all safety messages that follow this symbol to avoid possible injury or death.

DANGER

DANGER indicates a hazardous

situation which, if not avoided, will result in death or serious injury.

WARNING

WARNING indicates a

hazardous situation which, if not avoided, could result in death or serious injury.

CAUTION

CAUTION, used with the safety

alert symbol, indicates a hazardous situation which, if not avoided, could result in minor or moderate injury.

NOTICE

NOTICE is used to address practices not related to personal injury.

CAUTION

CAUTION, without the safety alert symbol, is used to address practices not related to personal injury.

General Power Tool Safety Warnings



WARNING Read all safety warnings and instructions.

Failure to follow the warnings and instructions may result in electric shock, fire and/or serious injury.

Save all warnings and instructions for future reference.

The term "power tool" in the warnings refers to your mains-operated (corded) power tool or battery-operated (cordless) power tool.

1. **Work area safety**
 - a. **Keep work area clean and well lit.**
Cluttered or dark areas invite accidents.
 - b. **Do not operate power tools in explosive atmospheres, such as in the presence of flammable liquids, gases or dust.** *Power tools create sparks which may ignite the dust or fumes.*
 - c. **Keep children and bystanders away while operating a power tool.**
Distractions can cause you to lose control.
2. **Electrical safety**
 - a. **Power tool plugs must match the outlet. Never modify the plug in any way. Do not use any adapter**

plugs with grounded power tools. *Unmodified plugs and matching outlets will reduce risk of electric shock.*

- b. **Avoid body contact with grounded surfaces such as pipes, radiators, ranges and refrigerators.** *There is an increased risk of electric shock if your body is grounded.*
 - c. **Do not expose power tools to rain or wet conditions.** *Water entering a power tool will increase the risk of electric shock.*
 - d. **Do not abuse the cord. Never use the cord for carrying, pulling or unplugging the power tool. Keep cord away from heat, oil, sharp edges or moving parts.** *Damaged or entangled cords increase the risk of electric shock.*
 - e. **When operating a power tool outdoors, use an extension cord suitable for outdoor use.** *Use of a cord suitable for outdoor use reduces the risk of electric shock.*
 - f. **If operating a power tool in a damp location is unavoidable, use a Ground Fault Circuit Interrupter (GFCI) protected supply.** *Use of a GFCI reduces the risk of electric shock.*
3. **Personal safety**
- a. **Stay alert, watch what you are doing and use common sense when operating a power tool. Do not use a power tool while you are tired or under the influence of drugs, alcohol or medication.** *A moment of inattention while operating power tools may result in serious personal injury.*
 - b. **Use safety equipment. Always wear ANSI-approved eye protection.** *Safety equipment such as dust mask, non-skid safety shoes, hard hat, or hearing protection used for appropriate conditions will reduce personal injuries.*
- c. **Keep guards in place and in good working order.**
- d. **Prevent unintentional starting.** **Ensure the switch is in the off-position before connecting to power source and/or battery pack, picking up or carrying the tool.** *Carrying power tools with your finger on the switch or energizing power tools that have the switch on invites accidents.*
- e. **Remove any adjusting key or wrench before turning the power tool on.** *A wrench or a key left attached to a rotating part of the power tool may result in personal injury.*
- f. **Do not overreach. Keep proper footing and balance at all times.** *This enables better control of the power tool in unexpected situations.*
- g. **Dress properly. Do not wear loose clothing or jewelry. Keep your hair, clothing and gloves away from moving parts.** *Loose clothes, jewelry or long hair can be caught in moving parts.*
- h. **If devices are provided for the connection of dust extraction and collection facilities, ensure these are connected and properly used.** *Use of these devices can reduce dust-related hazards.*
4. **Power tool use and care**
- a. **Do not force the power tool. Use the correct power tool for your application.** *The correct power tool will*

do the job better and safer at the rate for which it was designed.

- b. **Do not use the power tool if the switch does not turn it on and off.** *Any power tool that cannot be controlled with the switch is dangerous and must be repaired.*
- c. **Disconnect the plug from the power source and/or the battery pack from the power tool before making any adjustments, changing accessories, or storing power tools.** *Such preventive safety measures reduce the risk of starting the power tool accidentally.*
- d. **Store idle power tools out of the reach of children and do not allow persons unfamiliar with the power tool or these instructions to operate the power tool.** *Power tools are dangerous in the hands of untrained users.*
- e. **Maintain power tools. Check for misalignment or binding of moving parts, breakage of parts and any other condition that may affect the power tool's operation. If damaged, have the power tool repaired before use.** *Many accidents are caused by poorly maintained power tools.*
- f. **Keep cutting tools sharp and clean.** *Properly maintained cutting tools with sharp cutting edges are less likely to bind and are easier to control.*
- g. **Use the power tool, accessories and tool bits etc. in accordance with these instructions, taking into account the working conditions and the work to be performed.** *Use of the power tool for operations differ-*

ent from those intended could result in a hazardous situation.

5. Service

- a. **Have your power tool serviced by a qualified repair person using only identical replacement parts.** *This will ensure that the safety of the power tool is maintained.*

Vibration Safety

This tool vibrates during use. Repeated or long-term exposure to vibration may cause temporary or permanent physical injury, particularly to the hands, arms and shoulders. To reduce the risk of vibration-related injury:

1. Anyone using vibrating tools regularly or for an extended period should first be examined by a doctor and then have regular medical check-ups to ensure medical problems are not being caused or worsened from use. Pregnant women or people who have impaired blood circulation to the hand, past hand injuries, nervous system disorders, diabetes, or Raynaud's Disease should not use this tool. If you feel any medical or physical symptoms related to vibration (such as tingling, numbness, and white or blue fingers), seek medical advice as soon as possible.
2. Do not smoke during use. Nicotine reduces the blood supply to the hands and fingers, increasing the risk of vibration-related injury.
3. Wear suitable gloves to reduce the vibration effects on the user.

4. Use tools with the lowest vibration when there is a choice between different processes.
5. Include vibration-free periods each day of work.
6. Grip tool as lightly as possible (while still keeping safe control of it). Let the tool do the work.
7. To reduce vibration, maintain the tool as explained in this manual. If any abnormal vibration occurs, stop use immediately.

SPECIFIC SAFETY WARNINGS

1. **Maintain labels and nameplates on the Tile Saw.** These carry important information. If unreadable or missing, contact Harbor Freight Tools for a replacement.
2. **Use the right product for the right job.** There are certain applications for which this product was designed. Do not use small equipment, tools, or attachments to do the work of larger industrial equipment, tools, or attachments. Do not use this product for a purpose for which it was not intended.
3. **Be sure the product is properly installed with the water hose hooked up to the Blade Guard (49) to keep the blade wet while in use.**
4. **This product must continuously run with cold water.** Dry running will cause serious damage.
5. **WARNING! Keeps hands and fingers away from cutting area and Saw Blade.**
6. **Check Blade Guard for proper forward/backward movement before each use.** Do not operate the Tile Saw if the Blade Guard does not move freely. Make sure the Blade Guard moves freely and does not touch the Saw Blade or any other part of the Saw, in all angles and depths of cut.
7. **Do not handle the Power Switch (21) with wet hands.**
8. **Make sure the Tile Saw is located on a flat, level, sturdy surface capable of supporting the weight of the Saw and work pieces.**
9. **Always use 67393 7" Continuous Rim Diamond Saw Blade (not included, sold separately) with a 1" round arbor hole, and rated at 3565 RPM or greater.**
10. **Use the Tile Saw only for cutting dry or wet ceramic tile, quarry tile, marble, terra-cotta, and slate with 1" arbor hole and a maximum thickness 1".**
11. **Do not use the Tile Saw for cutting metals or for cutting curves.** This may cause the Saw Blade to break and/or reduce its service life.
12. **Make sure the Saw Blade is wet at all times when cutting.**
13. **To reduce the risk of electrocution, keep all connections dry and off the ground.** Do not touch plug with wet hands. Ground Fault Circuit Interrupter (GFCI) protection should be provided on the circuit(s) or outlet(s) to be used for the tile saw (GFCI is not included in this machinery). Receptacles are available having built-in GFCI protection and may be used for this measure of safety.

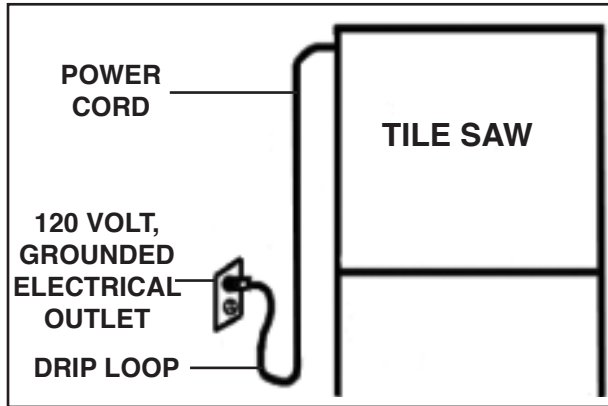


Figure 1

14. **Always arrange a “drip loop” in the Power Cord/Plug (34) connecting the Tile Saw to a 120 volt, grounded, electrical outlet.** A drip loop is that part of the Power Cord below the level of the outlet, or the connector if an extension cord is used, to prevent water traveling along the Power Cord and coming in contact with the outlet. If the Power Plug or electrical outlet *does* get wet, do not unplug the Power Cord. Disconnect the fuse or circuit breaker that supplies power to the tool. Then, unplug and examine for presence of water in the outlet. See Figure 1, above.
15. **Use cold water only. Never use hot water.**
16. **Never run the Tile Saw without a water supply.** Running the unit without a water supply will cause irreparable damage.
17. **Make sure the water supply used for the Tile Saw is not dirty, sandy, and does not contain any corrosive chemicals.**
18. **Make sure to change the water when necessary while in use and clean and rinse out the Tub after every use.**
19. **Never leave the Tile Saw unattended when it is plugged into an electrical outlet.** Turn off the Tile Saw, and unplug it from its electrical outlet.
20. **Always keep the water level at the recommended level.** Fill the Tray (17) until it is about 3/4 completely submerged, but do not overfill.
21. **Avoid splashing water on the Motor (42), Power Switch, Power Cord/Plug, or any other electrical component.** Make sure to stand on a dry, insulated surface such as a rubber mat while using the Tile Saw.
22. **To avoid accidental injury, always wear heavy duty work gloves when changing the Saw Blade.** Before using the Tile Saw, make sure the Saw Blade is properly and securely mounted on the Saw Spindle. Make sure the Saw Blade is balanced, and is not cracked or bent.
23. **The Saw Blade will become hot while cutting.** Allow Blade to completely cool before handling.
24. **Allow the Saw Blade to spin up to full speed before feeding a work piece into it.** When turning off the Tile Saw, allow the Saw Blade to spin down and stop on its own. Do not press against the Saw Blade to stop it.
25. **Do not force workpiece onto the Saw Blade.** Apply moderate pressure, allowing the Saw Blade to cut without being forced.
26. **Turn off the Tile Saw and allow it to stop on its own if the Blade is to be backed out of an uncompleted cut.**

27. **Never attempt to remove material stuck in the moving parts of the Tile Saw while it is plugged in and running.**
28. **When cutting a large work piece make sure its entire length is properly supported.** If necessary, use a roller stand (not included) with larger work pieces.
29. **Never lean on the Tile Saw.** Serious injury could result if the Tile Saw is tipped or if the rotating Saw Blade is accidentally contacted.
30. **Industrial applications must follow OSHA requirements.**
31. **For your safety: In extreme working conditions, sensors in the Tile Saw will automatically switch off the Motor to prevent overheating.** In this event, turn the Power Switch to its "OFF" position. Wait five minutes or until the Motor has cooled. Making sure your hands are dry, depress the Circuit Breaker. Then, turn the Power Switch to its "ON" position to resume cutting.
32. **Never attempt to cut more than one tile at a time.**
33. **Never attempt to cut freehand.** Make sure the tile to be cut is pressed firmly against the Cutting Guide (57).
34. **Never cut pieces too small to be held securely against the Cutting Guide without leaving enough space for the hand to be a safe distance from the Saw Blade.**
35. **Make sure the tile to be cut off has sufficient room to move sideways.**
36. **Make sure the surrounding area of the Table is clear with the exception of the tile to be cut.**
37. **Always turn off the Tile Saw and unplug it from its electrical outlet before changing accessories or performing any inspection, maintenance, or cleaning procedures.**
38. **WARNING!** Some dust created by power sanding, sawing, grinding, drilling, and other construction activities, contain chemicals known (to the State of California) to cause cancer, birth defects or other reproductive harm. Some examples of these chemicals are: lead from lead-based paints, crystalline silica from bricks and cement and other masonry products, arsenic and chromium from chemically treated lumber. Your risk from these exposures varies, depending on how often you do this type of work. To reduce your exposure to these chemicals: work in well ventilated areas, and work with approved safety equipment such as those dust masks that are specially designed to filter out microscopic particles. (California Health & Safety Code § 25249.5, *et seq.*)
39. **WARNING!** People with pacemakers should consult their physician(s) before using this product. Operation of electrical equipment in close proximity to a heart pacemaker could cause interference or failure of the pacemaker.
40. **WARNING!** The warnings and cautions discussed in this manual cannot cover all possible conditions and

situations that may occur. It must be understood by the operator that common sense and caution are factors which cannot be built into this product, but must be supplied by the operator.

Abrasive Cutting-Off Operation Safety Warnings

1. **This power tool is intended to function as a cut-off tool. Read all safety warnings, instructions, illustrations and specifications provided with this power tool.** Failure to follow all instructions listed below may result in electric shock, fire and/or serious injury.
2. **DO NOT EXPOSE TO RAIN.**
3. Specific Cautions:
 - a. Wear ANSI-Approved eye protection.
 - b. Use splash guard for every operation for which it can be used.
 - c. Disconnect saw before servicing, when changing cutting wheel or cleaning.
 - d. Use only with continuous rim blade.
 - e. Do not operate the tool with a damaged cutting wheel.
4. **Operations such as grinding, sanding, wire brushing, polishing are not recommended to be performed with this power tool.** Operations for which the power tool was not designed may create a hazard and cause personal injury.
5. **Do not attempt to free a stalled blade without turning the Tile Saw OFF first.** If the blade stalls, turn the power switch to the OFF position immediately to prevent damage to the motor.
6. **Do not use accessories which are not specifically designed and recommended by the tool manufacturer.** Just because the accessory can be attached to your power tool, it does not assure safe operation.
7. **The rated speed of the accessory must be at least equal to the maximum speed marked on the power tool.** Accessories running faster on the Saw than their RATED SPEED indicates can break and fly apart.
8. **The diameter of your accessory must be within the capacity rating of your power tool.** Incorrectly sized accessories cannot be adequately guarded or controlled.
9. **Wear personal protective equipment. Depending on application, use face shield, safety goggles or safety glasses. As appropriate, wear dust mask, hearing protectors, gloves and workshop apron capable of stopping small abrasive or workpiece fragments.** The eye protection must be capable of stopping flying debris generated by various operations such as safely goggles or glasses. The dust mask or respirator must be capable of filtering particles generated by your operation. Prolonged exposure to high intensity noise may cause hearing loss.
10. **Keep bystanders a safe distance away from work area. Anyone entering the work area must wear personal protective equipment.** Fragments of workpiece or of a broken accessory may fly away and

cause injury beyond immediate area of operation.

11. **Position the cord clear of the spinning blade.** If you lose control, the cord may be cut or snagged and your hand or arm may be pulled into the spinning accessory. Avoid unintentional starting. Prepare to begin work before turning on the tool.
12. **Do not leave the tool unattended when it is plugged into an electrical outlet.** Turn off the tool, and unplug it from its electrical outlet before leaving.
13. **This product is not a toy.** Keep it out of reach of children.
14. **People with pacemakers should consult their physician(s) before use.** Electromagnetic fields in close proximity to heart pacemaker could cause pacemaker interference or pacemaker failure. In addition, people with pacemakers should:
 - Avoid operating alone.
 - Do not use with power switch locked on.
 - Properly maintain and inspect to avoid electrical shock.
 - Any power cord must be properly grounded. Ground Fault Circuit Interrupter (GFCI) should also be implemented – it prevents sustained electrical shock.
15. **Some dust created by power sanding, sawing, grinding, drilling, and other construction activities, contains chemicals known [to the State of California] to cause cancer, birth defects or other reproductive harm.** Some examples of these chemicals are:
 - Lead from lead-based paints

- Crystalline silica from bricks and cement or other masonry products
- Arsenic and chromium from chemically treated lumber

Your risk from these exposures varies, depending on how often you do this type of work. To reduce your exposure to these chemicals: work in a well ventilated area, and work with approved safety equipment, such as those dust masks that are specially designed to filter out microscopic particles. (California Health & Safety Code § 25249.5, *et seq.*)

16. **WARNING:** Handling the cord on this product will expose you to lead, a chemical known to the State of California to cause cancer, and birth defects or other reproductive harm. Wash hands after handling. (California Health & Safety Code § 25249.5, *et seq.*)
17. **The warnings, precautions, and instructions discussed in this instruction manual cannot cover all possible conditions and situations that may occur.** It must be understood by the operator that common sense and caution are factors which cannot be built into this product, but must be supplied by the operator.



SAVE THESE INSTRUCTIONS.

GROUNDING

⚠️ WARNING TO PREVENT ELECTRIC SHOCK



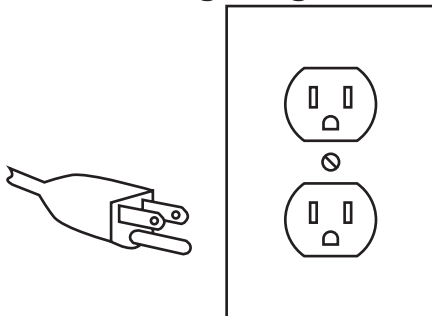
AND DEATH FROM INCORRECT GROUNDING WIRE CONNECTION:

Check with a qualified electrician if you are in doubt as to whether the outlet is properly grounded. Do not modify the power cord plug provided with the tool. Never remove the grounding prong from the plug. Do not use the tool if the power cord or plug is damaged. If damaged, have it repaired by a service facility before use. If the plug will not fit the outlet, have a proper outlet installed by a qualified electrician.

low resistance path to carry electricity away from the user, reducing the risk of electric shock. (See 3-Prong Plug and Outlet.)

3. The grounding prong in the plug is connected through the green wire inside the cord to the grounding system in the tool. The green wire in the cord must be the only wire connected to the tool's grounding system and must never be attached to an electrically "live" terminal. (See 3-Prong Plug and Outlet.)
4. The tool must be plugged into an appropriate outlet, properly installed and grounded in accordance with all codes and ordinances. The plug and outlet should look like those in the preceding illustration. (See 3-Prong Plug and Outlet.)

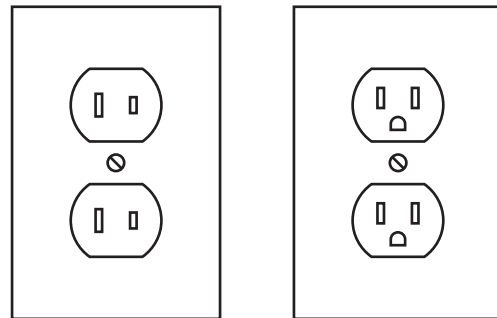
Grounded Tools: Tools with Three Prong Plugs



3-Prong Plug and Outlet

1. This Tile Saw comes with a 3-prong power cord.
2. Tools marked with "Grounding Required" have a three wire cord and three prong grounding plug. The plug must be connected to a properly grounded outlet. If the tool should electrically malfunction or break down, grounding provides a

Double Insulated Tools: Tools with Two Prong Plugs



Outlets for 2-Prong Plug

1. Tools marked "Double Insulated" do not require grounding. They have a special double insulation system which satisfies OSHA requirements and complies with the applicable standards of Underwriters Laboratories, Inc., the Canadian Standard Association, and the National Electrical Code. (See Outlets for 2-Prong Plug.)

- Double insulated tools may be used in either of the 120 volt outlets shown in the preceding illustration. **(See Outlets for 2-Prong Plug.)**

Extension Cords

- Grounded** tools require a three wire extension cord. **Double Insulated** tools can use either a two or three wire extension cord.
- As the distance from the supply outlet increases, you must use a heavier gauge extension cord. Using extension cords with inadequately sized wire causes a serious drop in voltage, resulting in loss of power and possible tool damage. **(See Table A.)** The smaller the gauge number of the wire, the greater the capacity of the cord. For example, a 14 gauge cord can carry a higher current than a 16 gauge cord. **(See Table A.)**
- When using more than one extension cord to make up the total length, make sure each cord contains at least the minimum wire size required. **(See Table A.)**
- If you are using one extension cord for more than one tool, add the nameplate amperes and use the sum to determine the required minimum cord size. **(See Table A.)**
- If you are using an extension cord outdoors, make sure it is marked with the suffix "W-A" ("W" in Canada) to indicate it is acceptable for outdoor use.
- Make sure the extension cord is properly wired and in good electrical condition. Always replace a damaged







extension cord or have it repaired by a qualified electrician before using it.

- Protect the extension cords from sharp objects, excessive heat, and damp or wet areas.

RECOMMENDED MINIMUM WIRE GAUGE FOR EXTENSION CORDS* (120/240 VOLT)					
NAMEPLATE AMPERES (at full load)	EXTENSION CORD LENGTH				
	25'	50'	75'	100'	150'
0 – 2.0	18	18	18	18	16
2.1 – 3.4	18	18	18	16	14
3.5 – 5.0	18	18	16	14	12
5.1 – 7.0	18	16	14	12	12
7.1 – 12.0	18	14	12	10	-
12.1 – 16.0	14	12	10	-	-
16.1 – 20.0	12	10	-	-	-

TABLE A * Based on limiting the line voltage drop to five volts at 150% of the rated amperes.

Symbology

	Double Insulated
	Canadian Standards Association
	Underwriters Laboratories, Inc.
	Volts Alternating Current
	Amperes
	No Load Revolutions per Minute (RPM)

SPECIFICATIONS

Blade Diameter (Blade Not Included, Sold Separately)	7" (67393 7" Continuous Rim Diamond Blade Recommended)
Arbor Diameter	1"
Maximum Cutting Capacity	1" Thick, 12" Wide
Electrical Requirements	120 V~ / 60 Hz / 5 A Single Phase
Tilting Head	45° for Bevels
Blade Rated Speed	3565 RPM
Table Size	15-3/4" x 16-1/2"
Accessories	1 Spanner Wrench 1 Nut Driver

UNPACKING

When unpacking, check to make sure that the item is intact and undamaged. If any parts are missing or broken, please call Harbor Freight Tools at the number shown on the cover of this manual as soon as possible.

INSTRUCTIONS FOR PUTTING INTO USE



Read the **ENTIRE IMPORTANT SAFETY INFORMATION** section at the beginning of this manual including all text under subheadings therein before set up or use of this product.

WARNING

TO PREVENT SERIOUS INJURY

FROM ACCIDENTAL OPERATION:

Turn the Power Switch of the tool to its "OFF" position and unplug the tool from its electrical outlet before assembling or making any adjustments to the tool.

Note: For additional information regarding the parts listed in the following pages, refer to the Assembly Diagram near the end of this manual.

Assembly

To Permanently Mount Tile Saw On A Workbench:

1. **WARNING!** Make sure the Power Switch (21) of the Tile Saw is in its "OFF" position and its Power Cord/Plug (34) is unplugged from the electrical outlet prior to performing any assembly.
2. The Tile Saw may be *temporarily* placed upon a workbench for use. Also, the Tile Saw may be *permanently* mounted on a workbench.
3. **CAUTION!** Make sure the workbench on which the Tile Saw will be temporarily or permanently used is flat, level, sturdy enough to support the weight of the Tile Saw, any workpieces, and any additional tools, and is not affected by spilled water.
4. To *permanently* mount the Tile Saw on a workbench, place the Tile Saw in the desired work location on the workbench. Use the four **7/16" wide x 3-1/2" long** mounting slots at the base of the Inner Cover (16) as a template to mark the areas where four **7/16" diameter** mounting holes should be drilled through the workbench. **WARNING!** Before drilling, verify there are no hidden utility wires below work surface.
5. Temporarily remove the Tile Saw, and drill the four 7/16" diameter mounting holes through the workbench, mak-

ing sure no hidden electric cords or cables are in the drilling path.

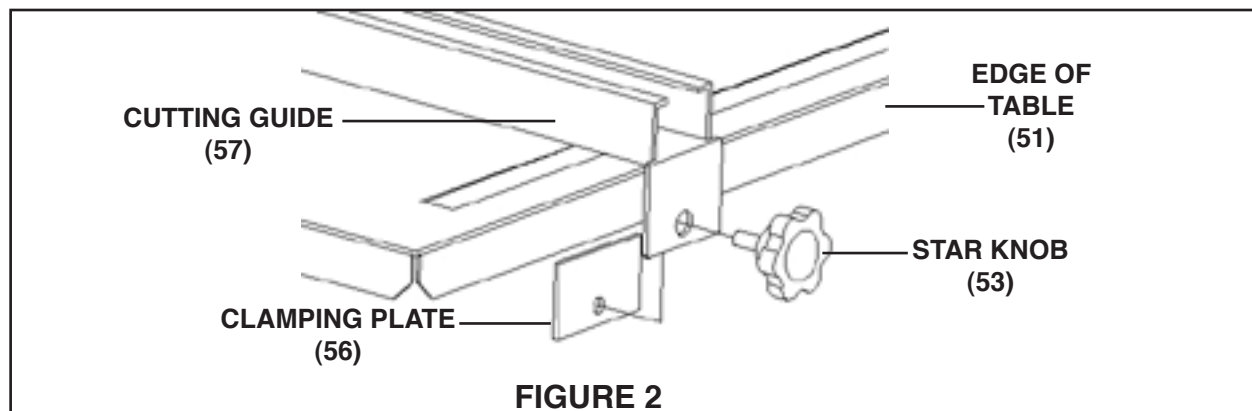
6. Once the mounting holes are drilled, align the four 7/16" wide x 3-1/2" long mounting slots in the base of the Inner Cover (16) with the four pre-drilled mounting holes in the workbench. Secure the Tile Saw to the workbench, using four appropriate length Bolts, Lock Washers, and Nuts (not included).

To Attach The Star Knob:

1. The Star Knob (53) is used to lock the Cutting Guide (57) in position. The Cutting Guide is used to set the desired width of cut when cutting a workpiece. (See Figure F.)
2. To attach the Star Knob (53), place the Cutting Guide (57) on the Table (51) of the Tile Saw. Place the Clamping Plate (56) behind the edge of the Table. Attach the Star Knob to the Cutting Guide. (See Figure 2, below.).

Install The Cutting Wheel Blade:

1. Make certain power is disconnected and the power switch is in the "OFF" position.
2. Empty the Tray (17). Turn it 90° (side-ways) and remove it.
3. Remove the Screws (2) and Washers (3). Remove the Front Cover (1), and Rear Blade Cover (58).
4. Use the prongs on the Spanner Wrench (59) to hold the Outside Flange (7) while you use the Nut Driver (60) to remove the Nut (4).
5. Install a new 7" diameter, 1" round arbor hole, wet, diamond-bonded Cutting Wheel Blade (SKU 67393) rated at a minimum of 3565 RPM.
6. Replace the Outside Flange (7) and Nut (4). Use the Spanner (59) to hold the Outside Flange (7) while you tighten the Nut (4) securely with the Nut Driver (60).



OPERATING INSTRUCTIONS



Read the **ENTIRE IMPORTANT SAFETY INFORMATION** section at the beginning of this manual including all text under subheadings therein before set up or use of this product.

Tool Set Up



WARNING TO PREVENT SERIOUS INJURY FROM ACCIDENTAL OPERATION: Turn the Power Switch of the tool to its “OFF” position and unplug the tool from its electrical outlet before performing any inspection, maintenance, or cleaning procedures.

1. **Use Clamping Plate (56) to secure and support smaller work pieces to the built-in fence.** Holding work by hand or against your body is unstable and may lead to loss of control.
2. **Do not force tool. Use the correct tool for your application.** The correct tool will do the job better and safer at rate for which it is designed.
3. **Do not use the power tool if the Power Switch does not turn it on or off.** Any tool that cannot be controlled with its Power Switch is dangerous and must be replaced.
4. **Disconnect Power Cord Plug from the power source before making any adjustments, changing accessories, or storing the tool.** Such preventive safety measures reduce risk of starting the tool accidentally.

5. **Store idle tools out of reach of children and other untrained persons.** Tools are dangerous in the hands of untrained users.
6. **Maintain tools with care. Keep tools clean.** Properly maintained tools are easier to control. Do not use a damaged tool. Tag damaged tools “Do not use” until repaired.
7. **Check for misalignment or binding of moving parts, breakage of parts, and any other condition that may affect the tool’s operation. If damaged, have the tool serviced before using.** Many accidents are caused by poorly maintained tools.
8. **Use only accessories that are recommended by the manufacturer for your tool.** Accessories suitable for one tool may become hazardous when used on another tool.

Work Piece and Work Area Set Up

1. **Designate a work area that is clean and well lit.** The work area must not allow access by children or pets to prevent injury and distraction.
2. **Route the power cord along a safe route to reach the work area without creating a tripping hazard or exposing the power cord to possible damage.** The power cord must reach the work area with enough extra length to allow free movement while working.
3. **Secure loose work pieces using clamps (not included) to prevent movement while working.**

General Operating Instructions

1. Fill Tray (17) with water and carefully slide Tray under Blade. Make sure water level is deep enough to cover lower edge of Cutting Wheel Blade, but not so deep as to spill over edge of Tray. (See Figure 3, below.)
2. Loosen Star Knob (20) and adjust the Cutting Guide (57) to set desired cutting *width*. Retighten the Star Knob.
3. If necessary, loosen second Star Knob (53) and tilt Table (51) to adjust *angle* of cut. Retighten Star Knob.
4. Connect Power Cord/Plug (34) of Tile Saw to the nearest 120 volt, grounded, electrical outlet.
5. **Put on ANSI-approved safety glasses under ANSI-approved safety impact full face shield.**
6. Fill water in Tray (17) to proper level. Turn Power Switch (21) to its “ON” position, and allow Blade to spin up to full speed.
7. Check to make sure Blade is picking up water from Tray (17). If not, turn off Tile Saw. Unplug machine, and refill Tray to appropriate level. Restart Tile Saw.
8. Place workpiece you are cutting firmly against Cutting Guide (57) and slowly feed workpiece into Blade.
9. **CAUTION!** Keep hands and fingers away from Blade. Also hold the workpiece you are cutting firmly against Cutting Guide (57) throughout cutting process. Failure to do so may cause workpiece to be propelled by Blade toward your body and/or into Saw.
10. Once cut is complete, turn Power Switch (21) to its “OFF” position. Unplug Power Cord/Plug (34) from its electrical outlet. Allow Blade to stop on its own. Then remove the workpiece and any scrap material from the Table (51) of Saw.
11. Remove and empty Tray (17) of its contents, and thoroughly rinse with clean, cold water. Replace Tray.
12. Store Saw in a safe, clean, dry location out of reach of children and other unauthorized people.

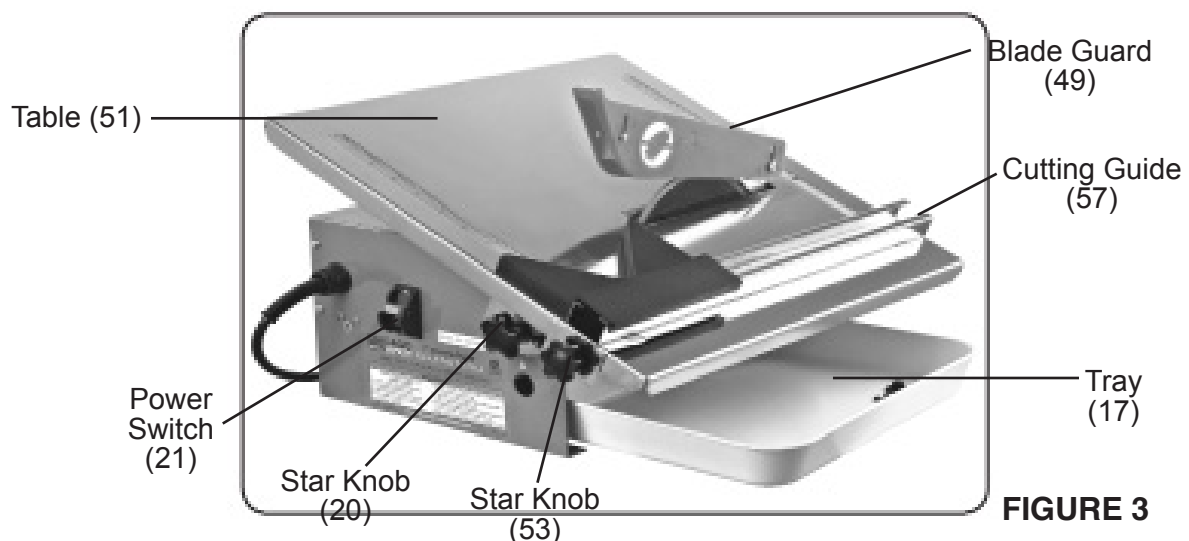


FIGURE 3

MAINTENANCE AND SERVICING



Procedures not specifically explained in this manual must be performed only by a qualified technician.

⚠️ WARNING

TO PREVENT SERIOUS INJURY

FROM ACCIDENTAL OPERATION:

Turn the Power Switch of the tool to its “OFF” position and unplug the tool from its electrical outlet before performing any inspection, maintenance, or cleaning procedures.

TO PREVENT SERIOUS INJURY FROM TOOL FAILURE:

Do not use damaged equipment. If abnormal noise or vibration occurs, have the problem corrected before further use.

Cleaning, Maintenance, and Lubrication

1. **BEFORE EACH USE**, inspect the general condition of the tool. Check for loose screws, misalignment or binding of moving parts, cracked or broken parts, damaged electrical wiring, loose or worn out blade, and any other condition that may affect its safe operation.
2. **AFTER USE**, clean external surfaces of the tool with clean cloth. Drain water from the water tray and wash out any residue.
3. **Tool service must be performed only by qualified repair personnel.** Service or maintenance performed by unqualified personnel could result in a risk of injury.
4. **When servicing a tool, use only identical replacement parts.** Follow instructions in the “*Inspection, Maintenance, And Cleaning*” section of this manual. Use of unauthorized parts or failure to follow maintenance instructions may create a risk of electric shock or injury.
5. **⚠️ WARNING!** If the supply cord of this power tool is damaged, it must be replaced only by a qualified service technician.
6. **⚠️ WARNING!** Always turn the Tool Saw’s Power Switch (21) to its “OFF” position and unplug the tool from its electrical outlet before performing any inspection, maintenance, or cleaning.
7. **To install a Cutting Wheel Blade:**
 - A. Make certain power is disconnected and the power switch is in the “OFF” position.
 - B. Empty the Tray (17). Turn it 90° (sideways) and remove it.
 - C. Remove the Screws (2) and Washers (3). Remove the Front Cover (1), and Rear Blade Cover (58).
 - D. Use the prongs on the Spanner Wrench (59) to hold the Outside Flange (7) while you use the Nut Driver (60) to remove the Nut (4). Remove the old Cutting Wheel Blade.
 - E. Install a new 67393 7” Continuous Rim Diamond Blade

- (not included, sold separately), making sure to install Blade according to indicated rotation direction on Blade.
- F. Replace the Outside Flange (7) and Nut (4). Use the Spanner (59) to hold the Outside Flange (7) while you tighten the Nut (4) securely with the Nut Driver (60). Do not overtighten.
 - G. Replace the Front Cover (1), Rear Blade Cover (58), Screws (2), Washers (3), and Tray (17) in the reverse order of removal.
8. **To clean:** Wipe with a damp cloth, vacuum or use compressed air. Do not use solvents.
 9. **When storing:** Store the Tile Saw in a safe, clean, dry, location out of reach of children and other unauthorized people.
 10. **CAUTION!** All maintenance, service, or repairs not listed in this manual are only to be attempted by a qualified service technician..

Troubleshooting

Problem	Possible Causes	Likely Solutions
Tool will not start	1. No power at outlet. 2. Cord not connected.	1. Check power at outlet. 2. Check that cord is plugged in.
Blade spins slowly	1. Arbor shaft binding 2. Motor brushes worn	1. Check shaft for free spinning. 2. Replace brushes.
Excessive vibration	1. Bent or off-balance blade. 2. Bent Arbor Shaft.	1. Replace blade with new one. 2. Check shaft for run-out.
Running hot; excess dust or chips or not cutting clean	1. Water flow problem. 2. Not cutting tile cleanly. 3. Running with hot/warm water.	1. Check water level; fill to proper level. 2. Turn off Saw; let cool and turn back on, slowing feed rate . 3. Always run with cold water.



Follow all safety precautions whenever diagnosing or servicing the tool. Disconnect power supply before service.

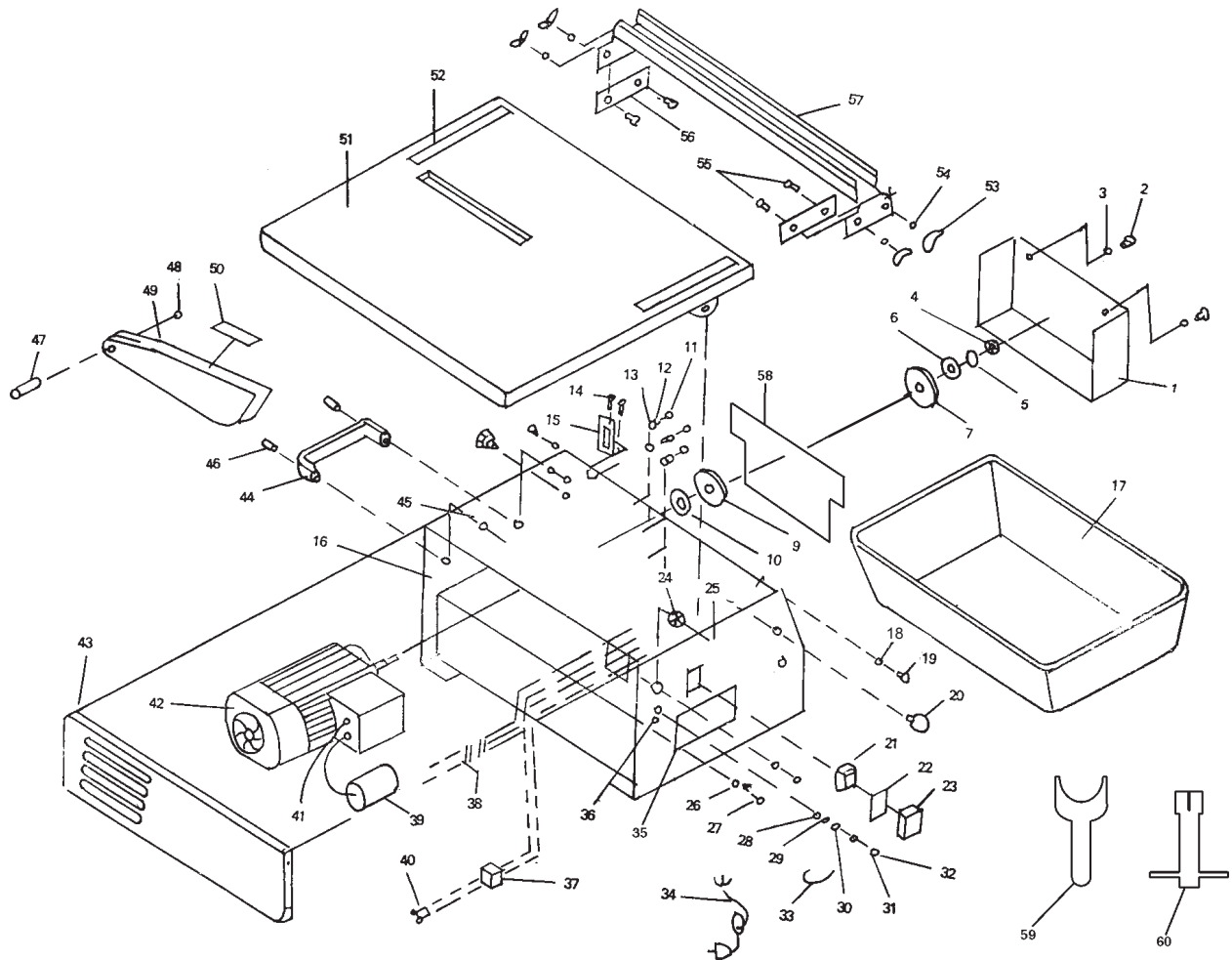
PLEASE READ THE FOLLOWING CAREFULLY

THE MANUFACTURER AND/OR DISTRIBUTOR HAS PROVIDED THE PARTS LIST AND ASSEMBLY DIAGRAM IN THIS MANUAL AS A REFERENCE TOOL ONLY. NEITHER THE MANUFACTURER OR DISTRIBUTOR MAKES ANY REPRESENTATION OR WARRANTY OF ANY KIND TO THE BUYER THAT HE OR SHE IS QUALIFIED TO MAKE ANY REPAIRS TO THE PRODUCT, OR THAT HE OR SHE IS QUALIFIED TO REPLACE ANY PARTS OF THE PRODUCT. IN FACT, THE MANUFACTURER AND/OR DISTRIBUTOR EXPRESSLY STATES THAT ALL REPAIRS AND PARTS REPLACEMENTS SHOULD BE UNDERTAKEN BY CERTIFIED AND LICENSED TECHNICIANS, AND NOT BY THE BUYER. THE BUYER ASSUMES ALL RISK AND LIABILITY ARISING OUT OF HIS OR HER REPAIRS TO THE ORIGINAL PRODUCT OR REPLACEMENT PARTS THERETO, OR ARISING OUT OF HIS OR HER INSTALLATION OF REPLACEMENT PARTS THERETO.

PARTS LIST

Part	Description	Part	Description	Part	Description
1	Front Cover	21	Power Switch	41	Motor Lead Wire
2	Screw (M4x10)	22	Switch Seal	42	Motor
3	Washer (M4)	23	Switch Cover	43	Rear Cover
4	Nut (M12)	24	Inlet Clip	44	Handle
5	Lock Washer (M12)	25	Rubber Collar	45	Washer (M6)
6	Washer (M12)	26	Washer (M4)	46	Bolt (M6x10)
7	Outside Flange	27	Screw (M4x10)	47	Holder
		28	Copper Nut (M4)	48	Square Cap
9	Inner Flange	29	Lock Washer (M4)	49	Blade Guard
10	Scaling Ring	30	Washer (M4)	50	Safety Label
11	Bolt (M5x12)	31	Cold Pressed Terminal	51	Table
12	Lock Washer (M5)	32	Copper Screw (M4x22)	52	Ruler
13	Washer (M5)	33	Insulation Line	53	Star Knob (M6)
14	Bolt (M3x6)	34	Power Cord/Plug	54	Washer (M6)
15	Splitter	35	Nameplate	55	Bolt (M6x16)
16	Inner Cover	36	Ground Sign	56	Clamping Plate
17	Tray	37	3 Hole, 10 A Connector	57	Cutting Guide
18	Nut (M6)	38	Cord Clamp	58	Rear Blade Cover
19	Bolt (M6x10)	39	Capacitor	59	Spanner Wrench
20	Star Knob (M8x16)	40	Screw (M3x16)	60	Nut Driver

ASSEMBLY DIAGRAM



Record Product's Serial Number Here: _____

Note: If product has no serial number, record month and year of purchase instead.

Note: Some parts are listed and shown for illustration purposes only, and are not available individually as replacement parts.

90 Day Warranty

Harbor Freight Tools Co. makes every effort to assure that its products meet high quality and durability standards, and warrants to the original purchaser that this product is free from defects in materials and workmanship for the period of 90 days from the date of purchase. This warranty does not apply to damage due directly or indirectly, to misuse, abuse, negligence or accidents, repairs or alterations outside our facilities, criminal activity, improper installation, normal wear and tear, or to lack of maintenance. We shall in no event be liable for death, injuries to persons or property, or for incidental, contingent, special or consequential damages arising from the use of our product. Some states do not allow the exclusion or limitation of incidental or consequential damages, so the above limitation of exclusion may not apply to you. THIS WARRANTY IS EXPRESSLY IN LIEU OF ALL OTHER WARRANTIES, EXPRESS OR IMPLIED, INCLUDING THE WARRANTIES OF MERCHANTABILITY AND FITNESS.

To take advantage of this warranty, the product or part must be returned to us with transportation charges prepaid. Proof of purchase date and an explanation of the complaint must accompany the merchandise. If our inspection verifies the defect, we will either repair or replace the product at our election or we may elect to refund the purchase price if we cannot readily and quickly provide you with a replacement. We will return repaired products at our expense, but if we determine there is no defect, or that the defect resulted from causes not within the scope of our warranty, then you must bear the cost of returning the product.

This warranty gives you specific legal rights and you may also have other rights which vary from state to state.

3491 Mission Oaks Blvd. • PO Box 6009 • Camarillo, CA 93011 • (800) 444-3353